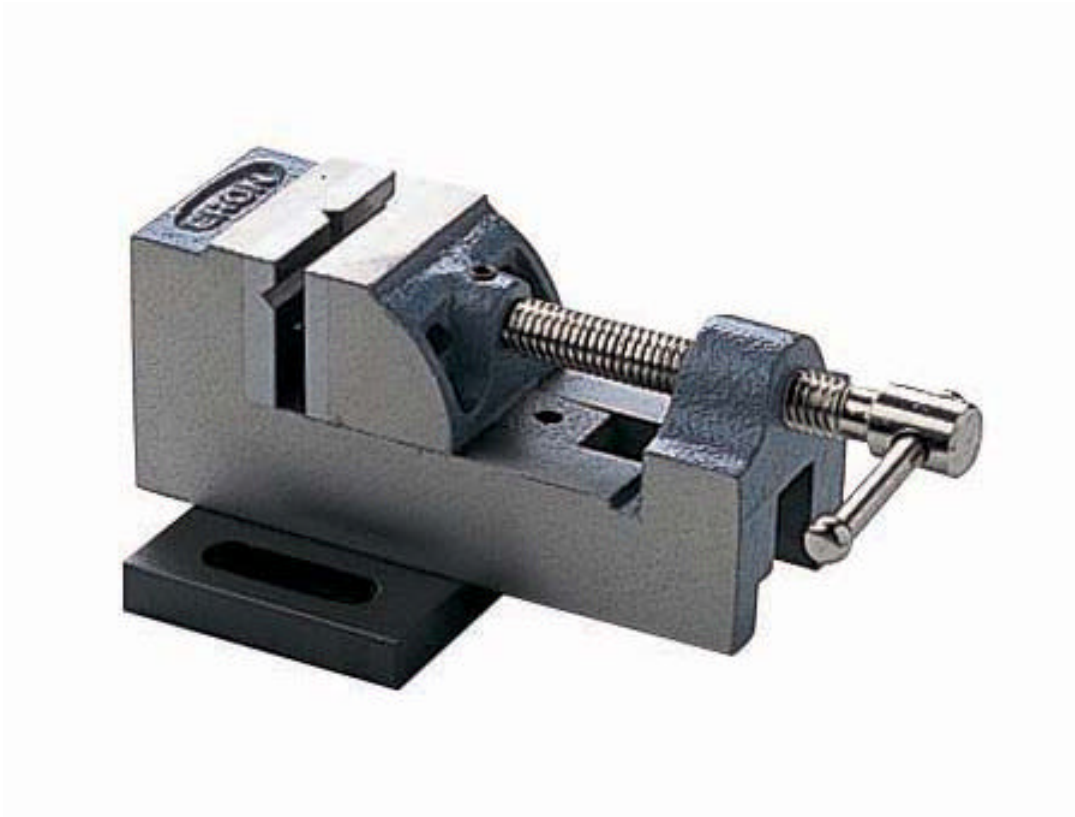

Vise Grip/GT-30

Holding fixture on the table of test stand



[Application]

The vise grip is installed on the Imada's test stand as a holding fixture on the test stand table.

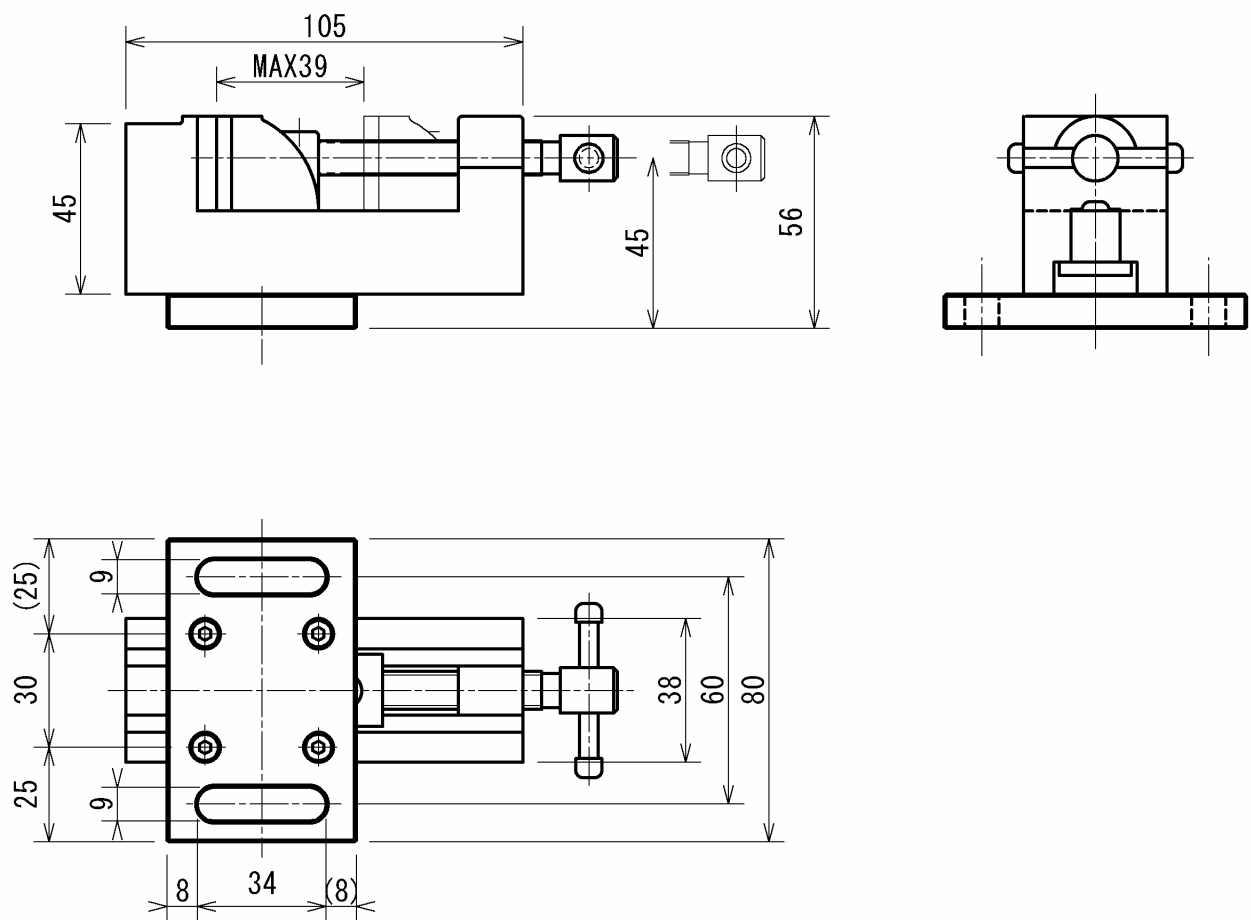
[Feature]

The vise grip can be installed on the Imada's vertical stand (SV / HV / MV series). Alignment of the sensing shaft of a force gauge is possible by the slotted hole of the vise grip .

[Specifications]

	GT-30
Opening width	Max 39 mm
Capacity	1000N
Table installation hole pitch	60 mm
Dimension	Refer to the dimensional drawing below
Weight	1.1 kg
Recommended test stand	SV-1,2 / HV-500N,-100W / MV-500N,-100AC(BA)

[Dimensional drawing]



[Precautions]

- Combining with Imada's force gauge, more stable measuring becomes possible.
- All information is subject to change without prior notice.